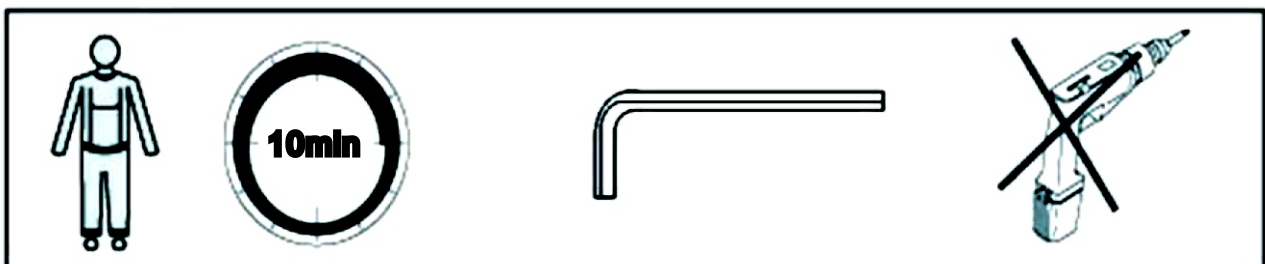
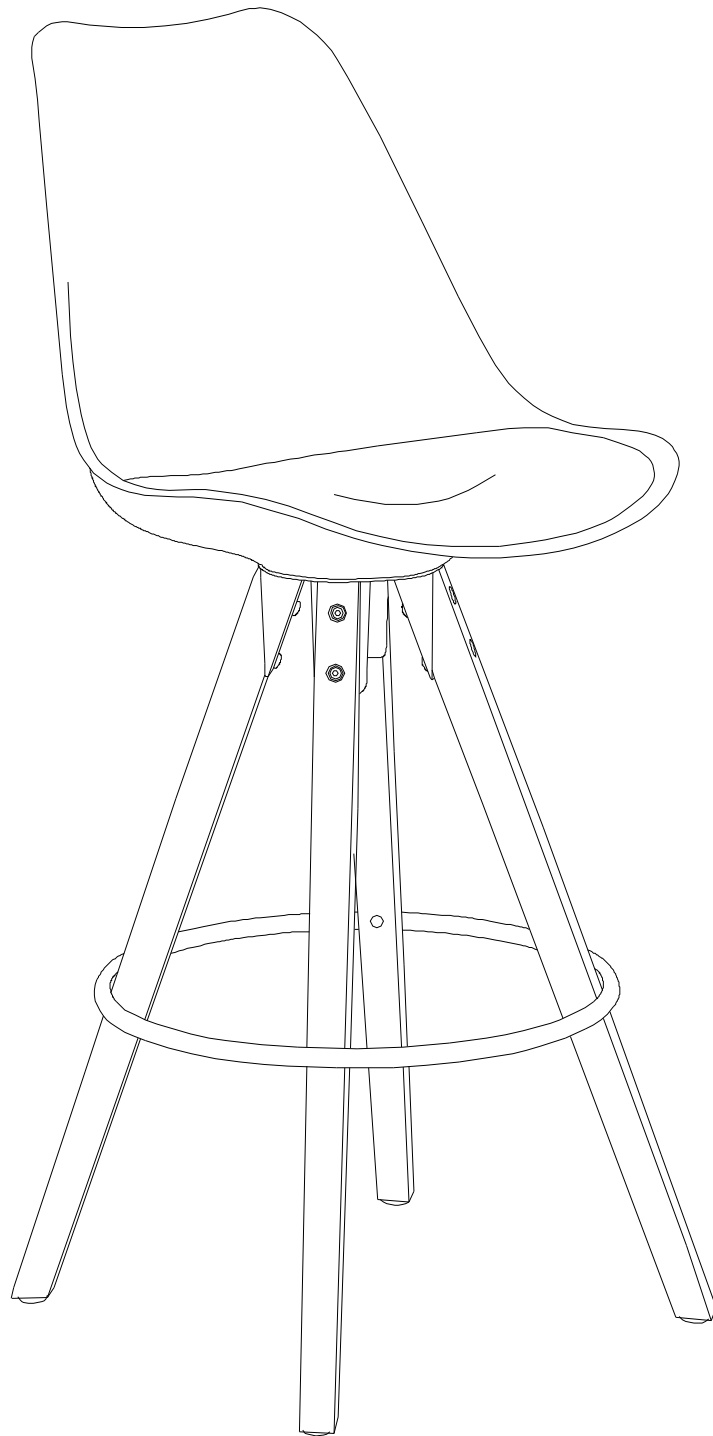
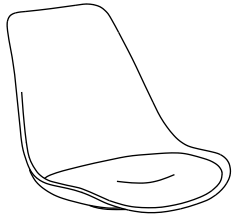


---

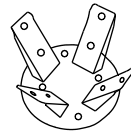
# DIMA BARSTOOL



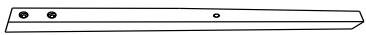
# DIMA BARSTOOL



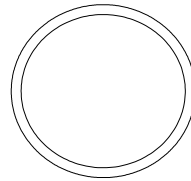
A × (1)



B × (1)



C × (4)



D × (1)

6\*32

6\*40

6\*18

M6

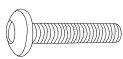
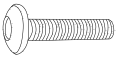
6\*18\*1.2

6\*14\*1.2

M6

M5

25\*5



E × 8

F × 4

G × 4

H × 8

I × 12

J × 4

K × 1

L × 1

M × 4



E × 8



I × 8



K × 1



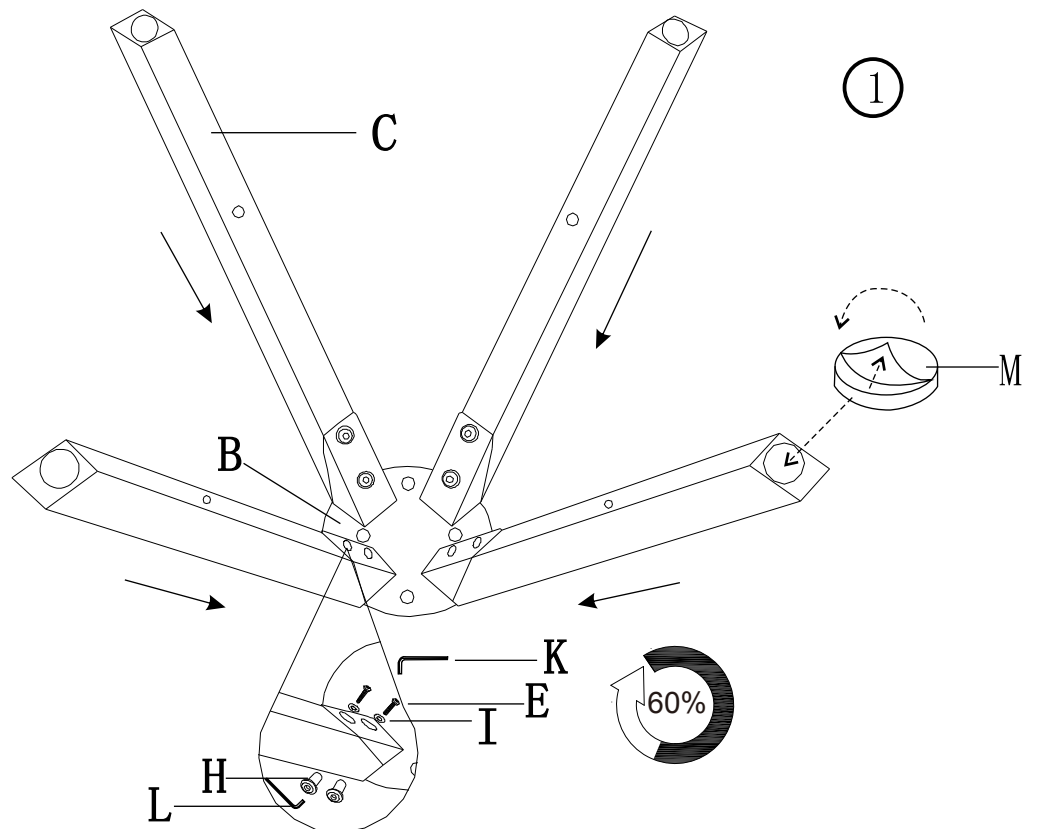
H × 8



L × 1



M × 4



# DIMA BARSTOOL



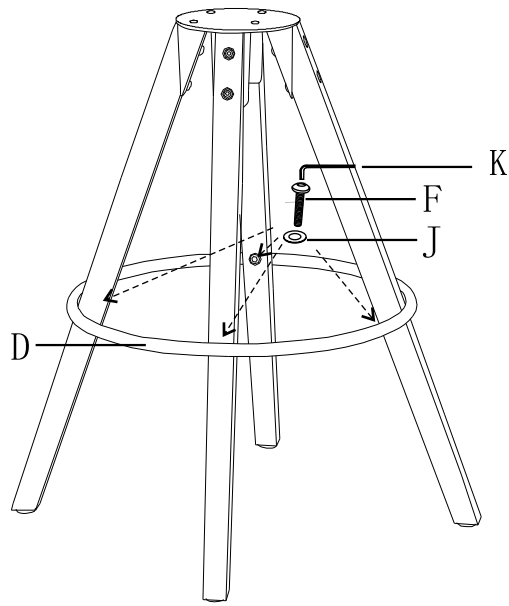
F×4PCS



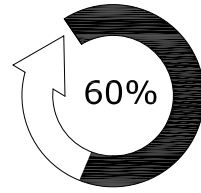
J×4PCS



K×1PCS



2



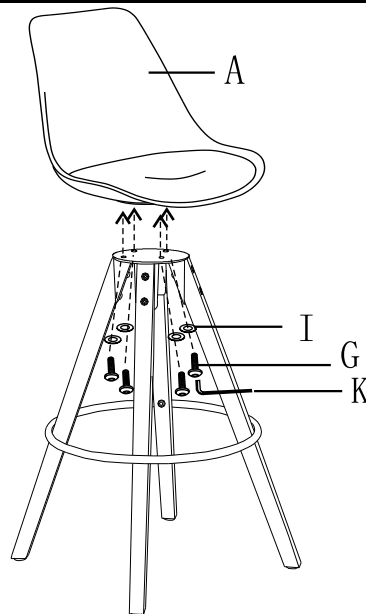
G×4PCS



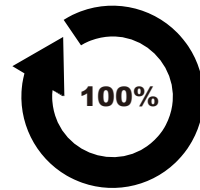
I×4PCS



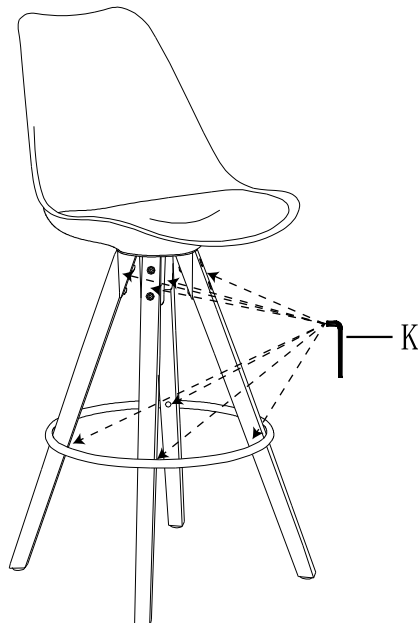
K×1PCS



3



K×1PCS



4

