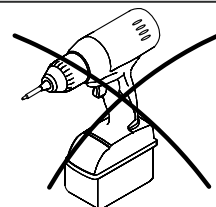
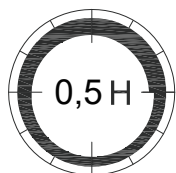
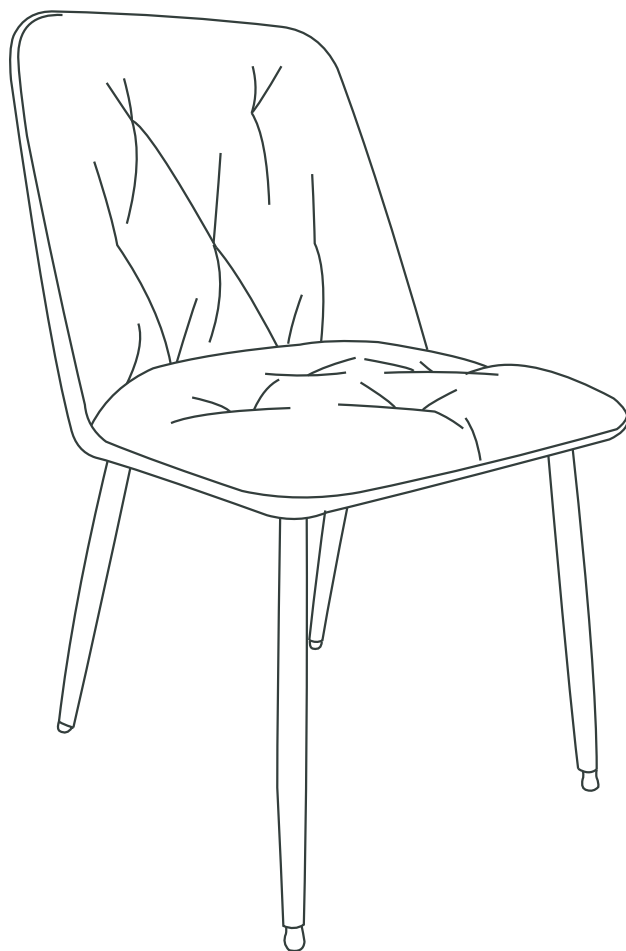
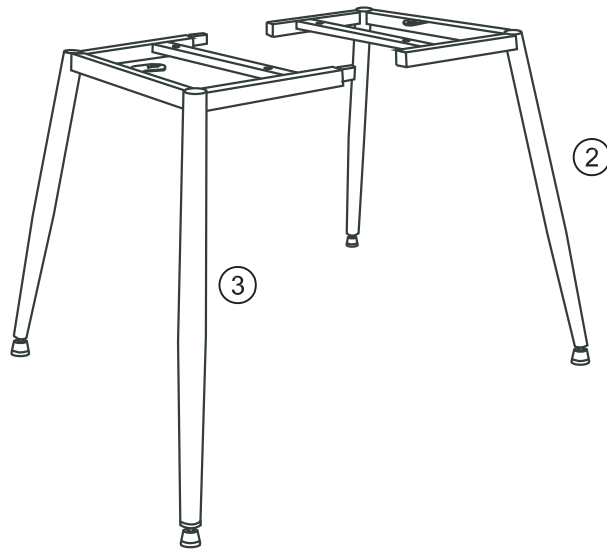
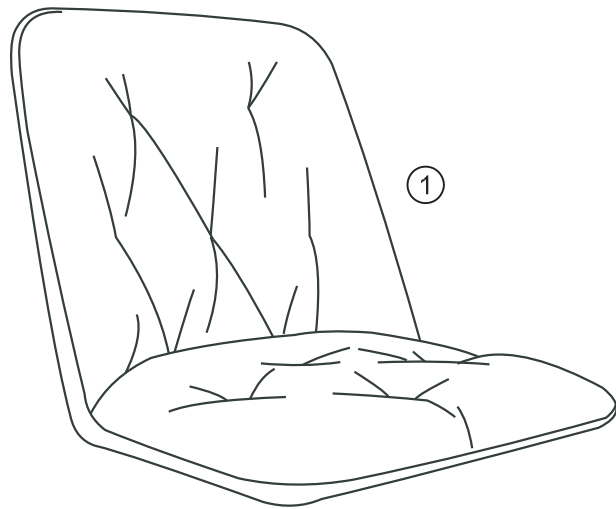

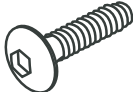
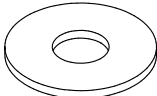
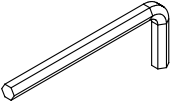


BROOKE

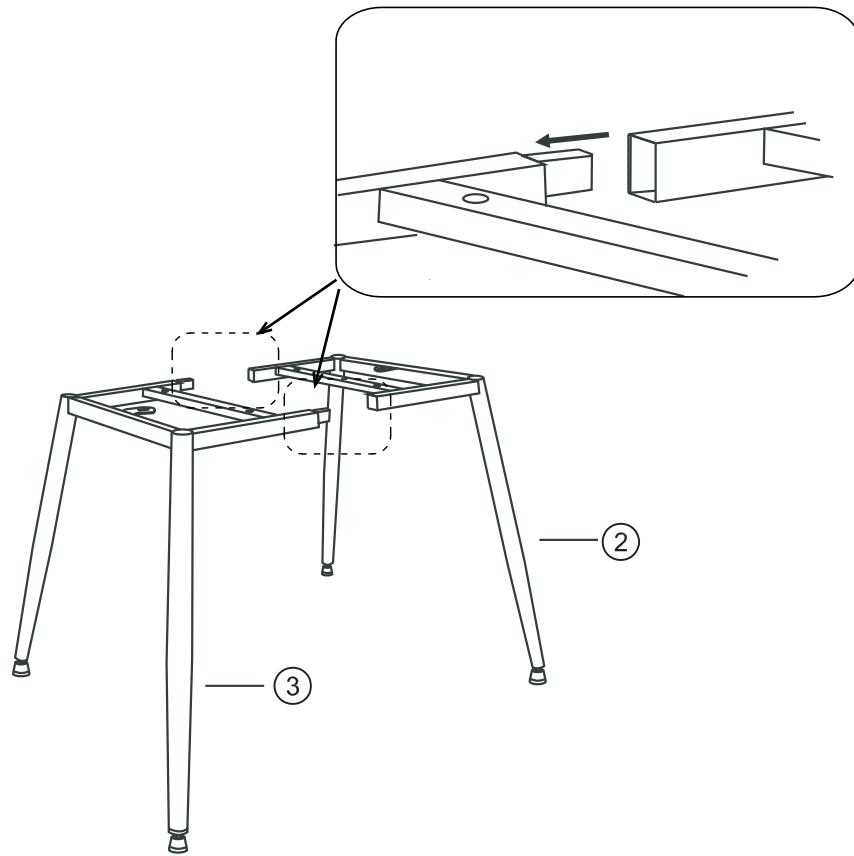


| | | | |
|---|---|-------------|---|
| | | | ✓ |
| ① | 1 | 525x510x450 | |
| ② | 1 | 490x425x190 | |
| ③ | 1 | 490x425x220 | |

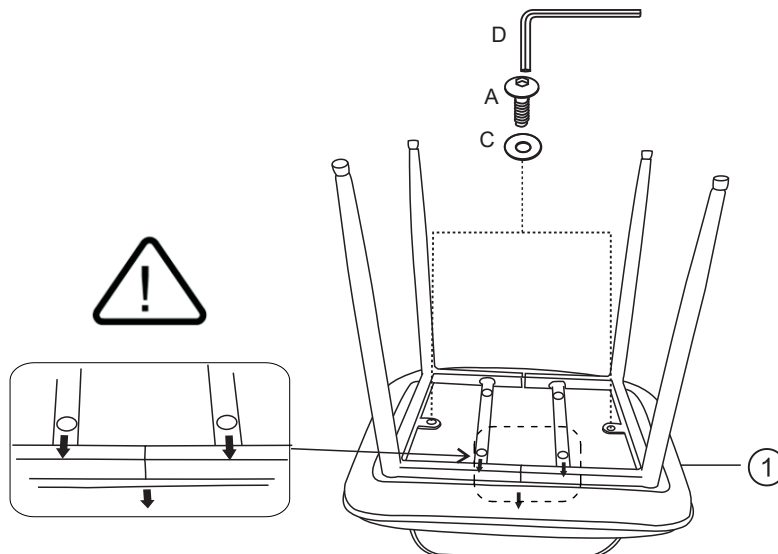
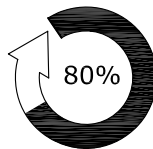
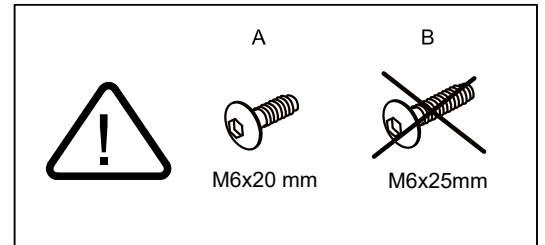
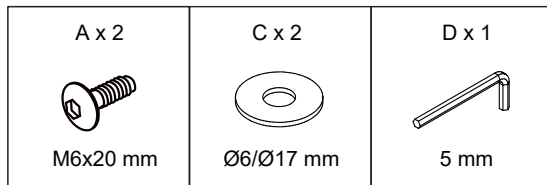


| | | | |
|-------------------------------------------------------------------------------------|-------------------------------------------------------------------------------------|-------------------------------------------------------------------------------------|---------------------------------------------------------------------------------------|
| A x 2 | B x 4 | C x 6 | D x 1 |
|  |  |  |  |
| M6x20 mm | M6x25 mm | Ø6/Ø17 mm | 5 mm |


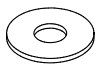
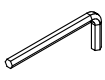
1

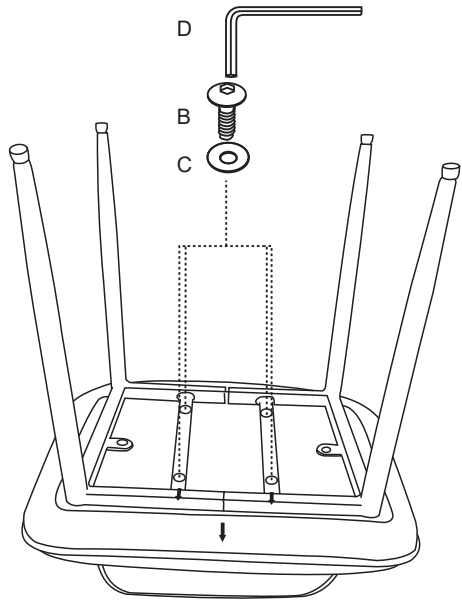
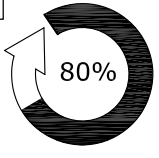


2

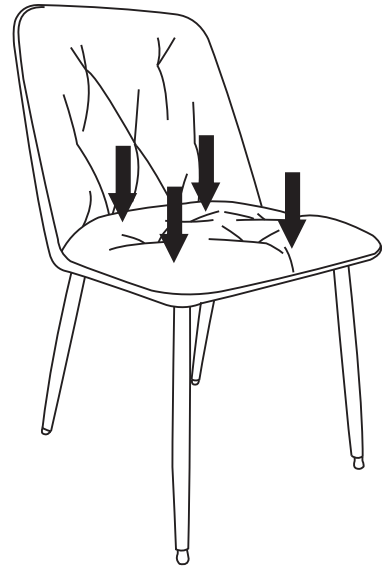
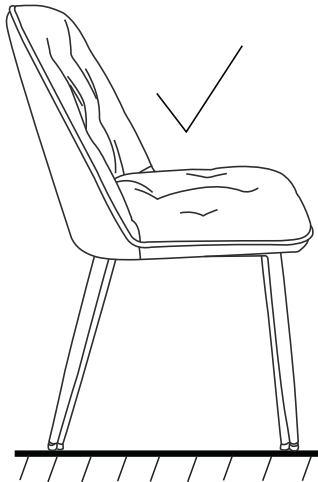
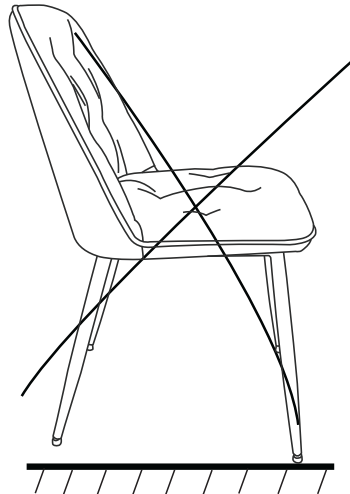


3

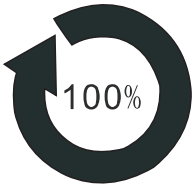
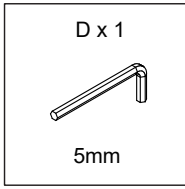
| | | |
|--------------------------------------------------------------------------------------------------------|---------------------------------------------------------------------------------------------------------|----------------------------------------------------------------------------------------------------|
| B x 4  M6x25 mm | C x 4  Ø6/Ø17 mm | D x 1  5 mm |
|--------------------------------------------------------------------------------------------------------|---------------------------------------------------------------------------------------------------------|----------------------------------------------------------------------------------------------------|



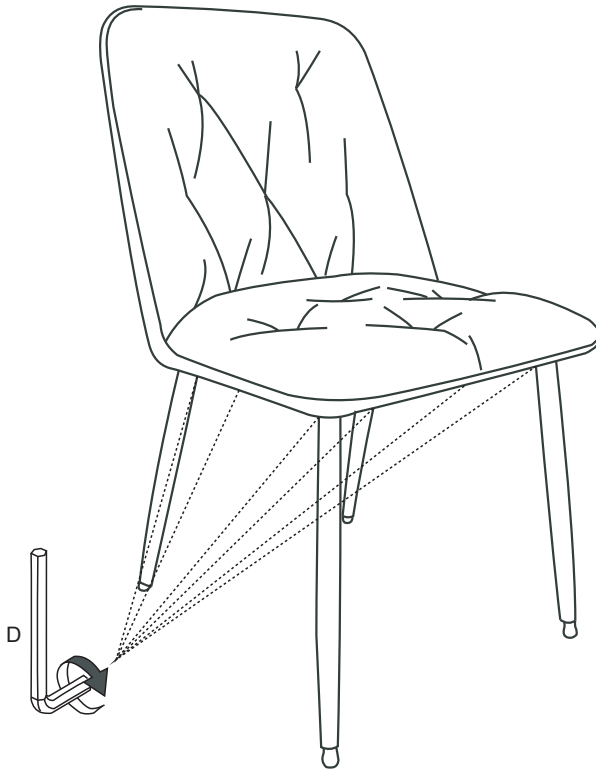
4



5



Ax2
Bx4



6

