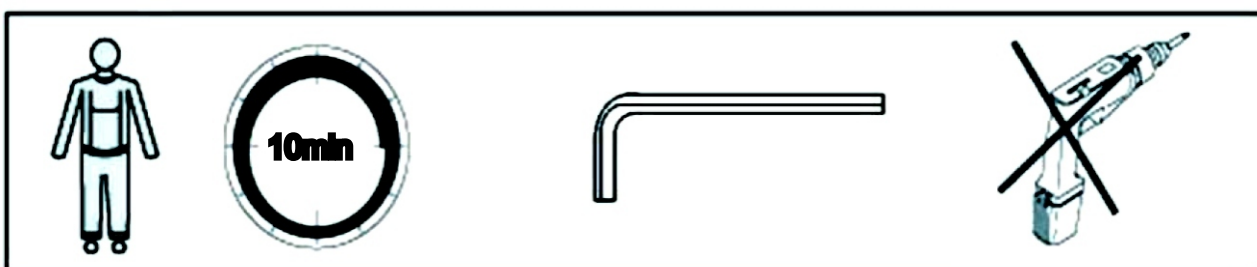
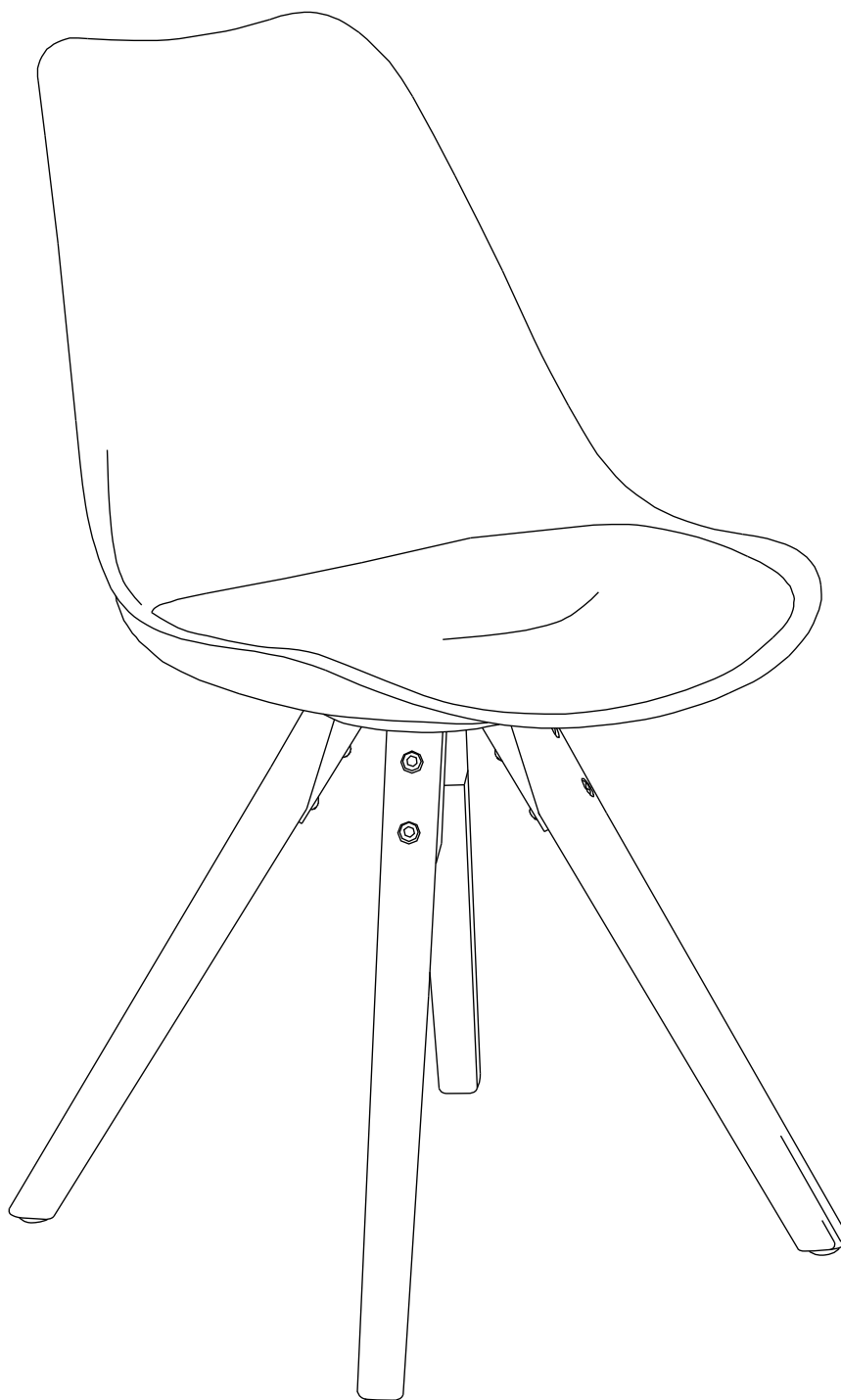
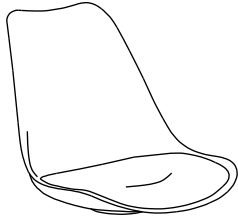
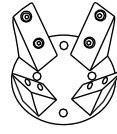

DIMA with rounded legs



DIMA with rounded legs



A×(1)



B×(1)



C×(4)

6*32

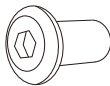
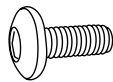
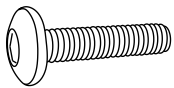
6*18

M6

6*18*1.2

M6

M5



D×8

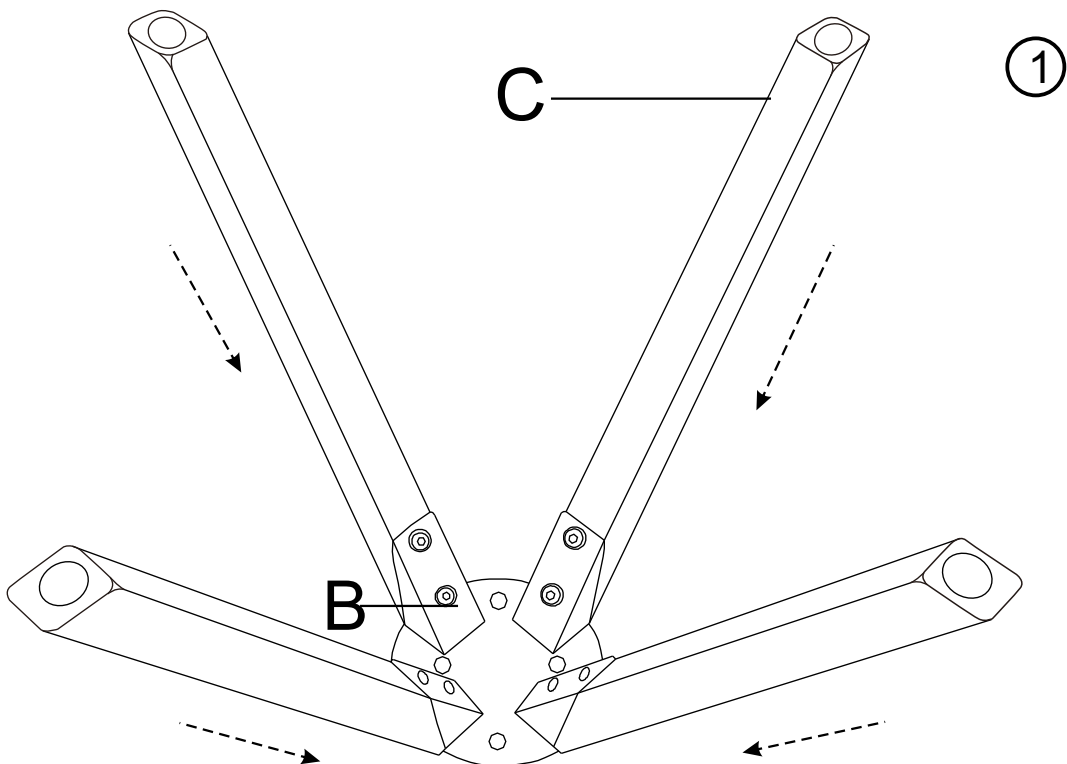
E×4

F×8

G×12

H×1

I×1



DIMA with rounded legs



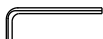
D×8PCS



F×8PCS



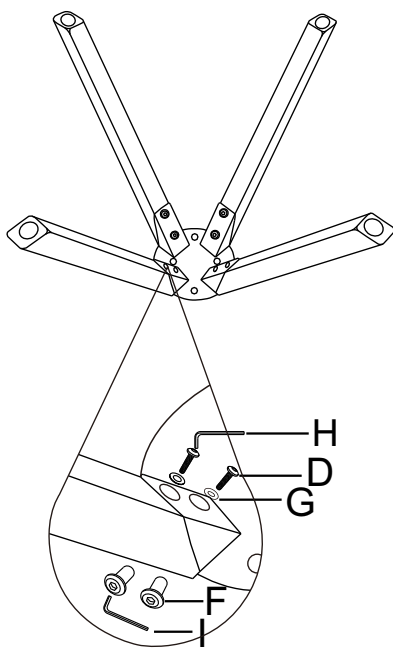
G×8PCS



H×1PCS



I×1PCS



②



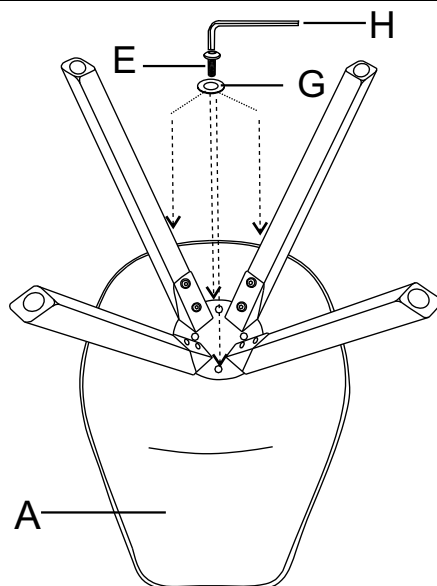
E×4PCS



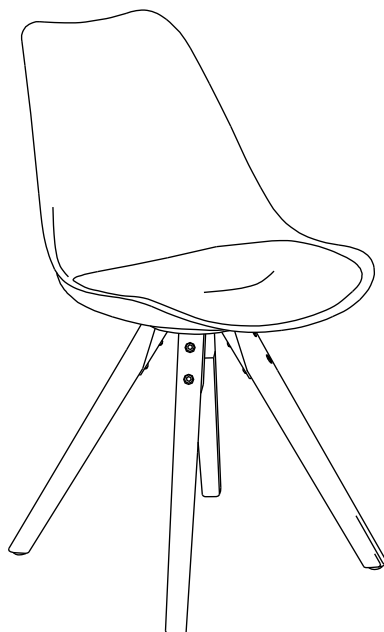
G×4PCS



H×1PCS



③



④