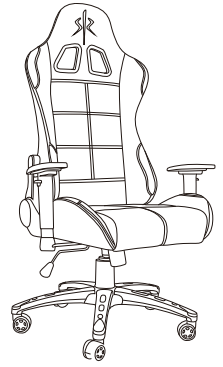


Gaming Red

Montage Anleitung / Notice de Montage / Assembling Instruction

ART.NR: 99 80 35 26

EAN NO: 4010340835268 ORDER: 18187

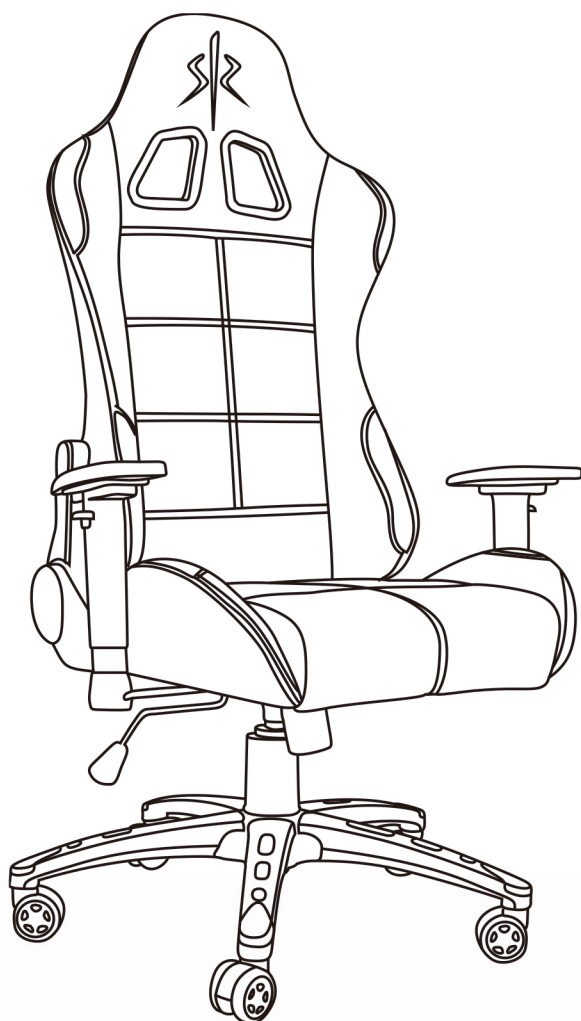


- | | |
|--|--|
| DE Wichtige Montage – Tipps hier zum herunterladen: | SE Viktiga hämtningsförslag: |
| EN Important assembling suggestions download: | NO Viktige nedlastingsforslag: |
| FR Conseils de montage importants à télécharger ici : | FI Tärkeät kokoamisedotukset ladataan: |
| IT Download importanti suggerimenti di montaggio: | HU Fontos összeszerelési javaslatok letöltése: |
| CZ Důležité montážní tipy ke stažení zde: | EE Olulised kokkupanemissetepanekute allalaadimine: |
| PT Download de sugestões importantes de montagem: | SI Prenos pomembnih predlogov za sestavljanje: |
| ES Descarga de sugerencias de montaje importantes: | RS Преузимање важних предлога за састављање: |
| PL Pobieranie ważnych sugestii montażowych: | RU Важные предложения по сборке скачать: |
| NL Belangrijke montagesuggesties downloaden: | TR Önemli montaj önerileri indir: |
| SK Stiahnutie dôležitých návrhov na zostavenie: | GR Λήψη σημαντικών προτάσεων συναρμολόγησης: |
| BG Важни съвети за сглобяване, които да изтеглите от тук: | LT Svarbūs surinkimo pasiūlymai atsisiųsti: |
| RO Descărcare de sugestii importante de asamblare: | LV Svarīgu montāžas ieteikumu lejupielāde: |
| HR Preuzimanje važnih prijedloga za sastavljanje: | LU Wichtig Versammlungsvorschläge eroflueden: |
| DK Vigtige montage tips til at downloade: | ARB المهمة التجميع اقتراحات تنزيل: |



Gaming Red

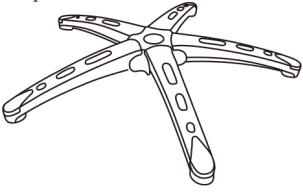

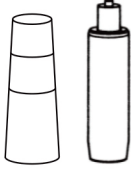
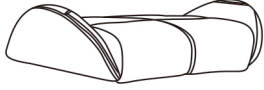

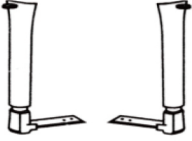

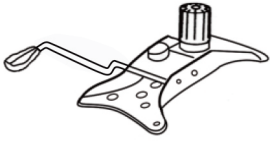
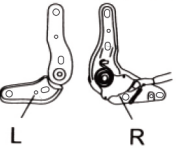
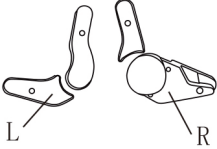
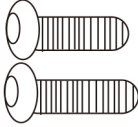
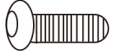


Montage Anleitung / Notice de Montage / Assembling Instruction



Für den Aufbau werden die hier abgebildeten Werkzeuge benötigt.
Avant le montage, se munir des outils nécessaires.
For the assembly you need the tools shown above.

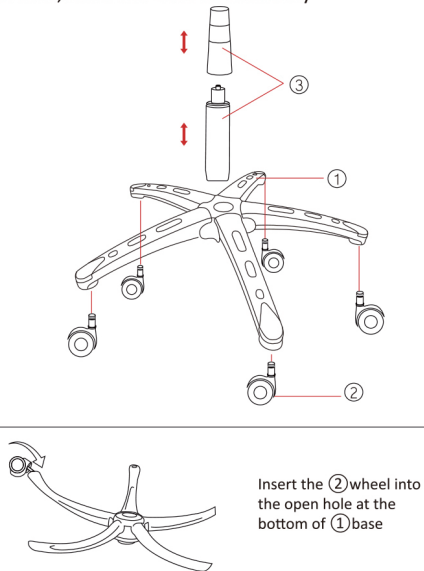
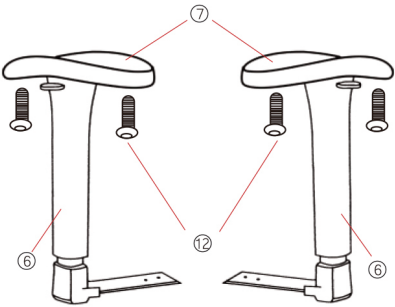
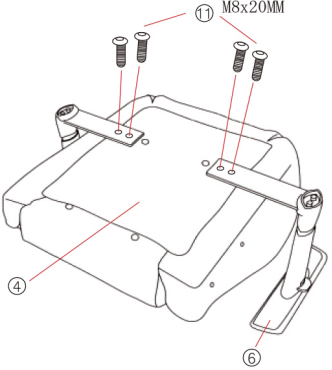
Please make sure the package contains the following parts and fittings.
 Veuillez vous assurer que l'emballage contient les pièces et les raccords suivants
 Bitte versichern Sie sich, dass die Verpackung die untenaufgeführten Teile enthält.

- ⑪ screws have been assembled on seat bottom and backrest. Please loosen them for further assembly.
- ⑪ Les vis sont fixées sur l'assise et le dossier. Veuillez les dévisser pour continuer l'assemblage
- ⑪ Die Schrauben sind am Sitz und am Rückenteil vormontiert – bitte lösen Sie die Schrauben für die weitere Montage.
- ⑫⑬⑭ are all in a small bag.
- ⑫⑬⑭ Sont tous dans un petit sachet
- ⑫⑬⑭ sind in einem kleinen Beutel

<p>① Base 1pcs</p> 	<p>② Wheel 5pcs</p> 	<p>③ Gas lift/cover 1pcs</p> 	<p>④ Seat 1pcs</p> 
<p>⑤ Backrest 1pcs</p> 	<p>⑥ Armrest pillar 2pcs</p> 	<p>⑦ Armrest panel 2pcs</p> 	<p>⑧ Tilt mechanism 1pcs</p> 
<p>⑨ Recliner Mechanism 2pcs</p> 	<p>⑩ Chair Side Cover 4pcs</p> 	<p>⑪ Screw (M8x25MM) 8pcs pre-assembled (M8x20MM) 8pcs pre-assembled</p> 	<p>⑫ Screw (M6x18MM) 4pcs to be assembled</p> 
<p>⑬ Screw (Phillips screw) 6pcs to be assembled</p> 	<p>⑭ Allen key 1pcs</p> 		

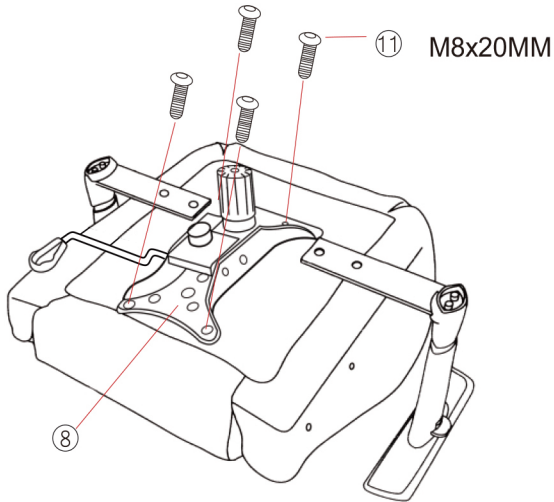
Read before assembly

1. Do not stand on the chair as a step stool or ladder.
2. Do not use the chair unless all screws and parts are tight.
3. Be careful, some of the parts are heavy and sharp.
4. Failure to follow these warning may cause serious injury.

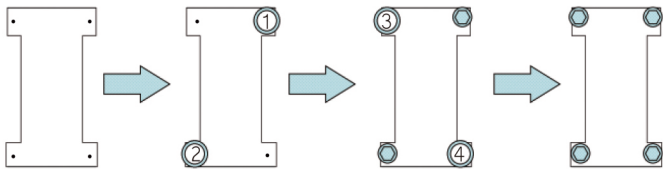
<p>01 Wheel, Base and Gas Lift Assembly</p>  <p>Insert the ② wheel into the open hole at the bottom of ① base</p>	<p>02 Connecting armrest panel to armrest pillar (M6 × 18MM)</p> 	<p>03 Connecting armrest to the seat</p>  <p>*⑪ screws (M8x20mm*4 pcs) have been pre-assembled at the seat bottom, please loosen them before further assembly.</p>
---	--	--

04

Connecting tilt mechanism to the seat



Tilt mechanism assembly sequence



Loosely assemble screw 1 and 2

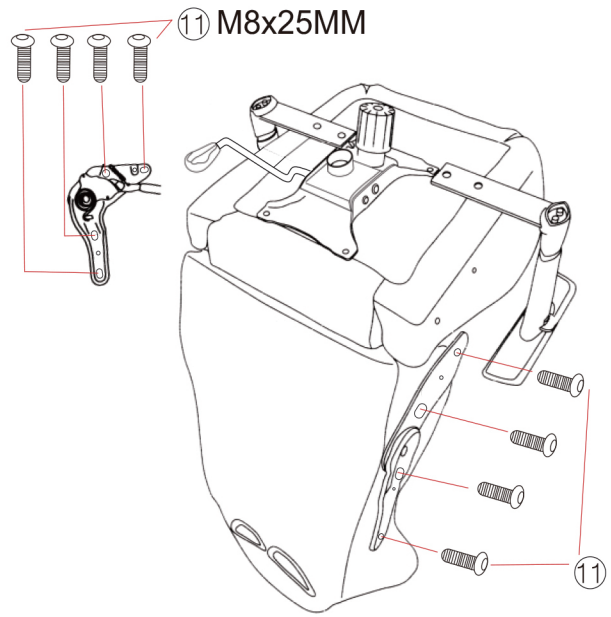
Loosely assemble screw 3 and 4

Tighten all the screws completely

* 11 screws (M8*20mm*4 pcs) have been pre-assembled under seat. Pls loosen them before further assemble the tilt mechanism (part 8).

05

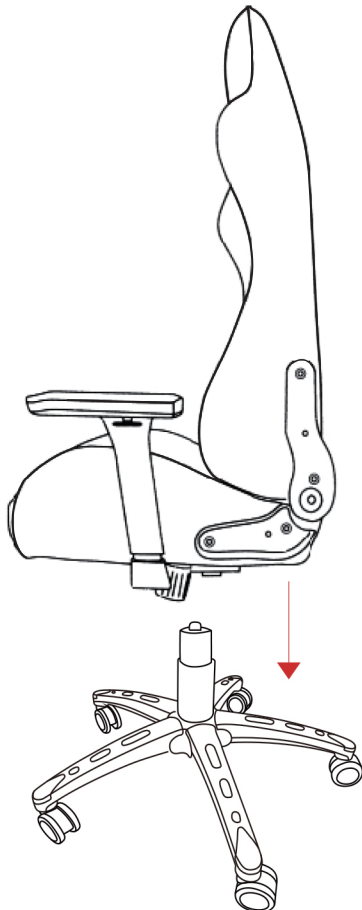
Connecting the backrest to the seat
Assemble the right side (recliner mechanism) first



* 11 screws (M8x25mm*8 pcs) have been pre-assembled on each side of the backrest, please loosen them before further assembly.

06

Connecting the upper body and lower body



07

Attaching the cover

